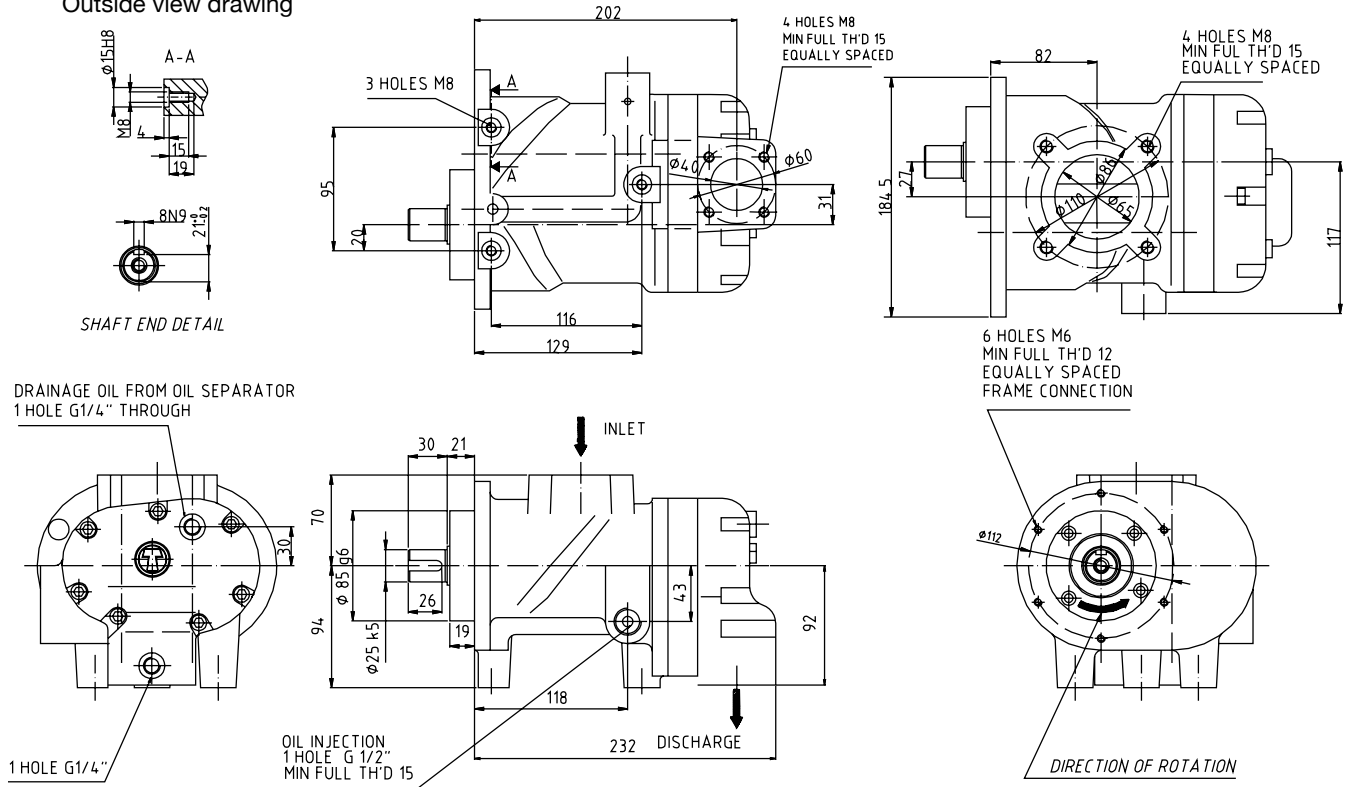




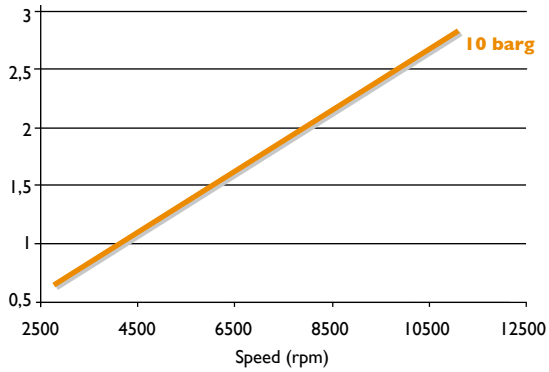
SCA8D-R

Outside view drawing

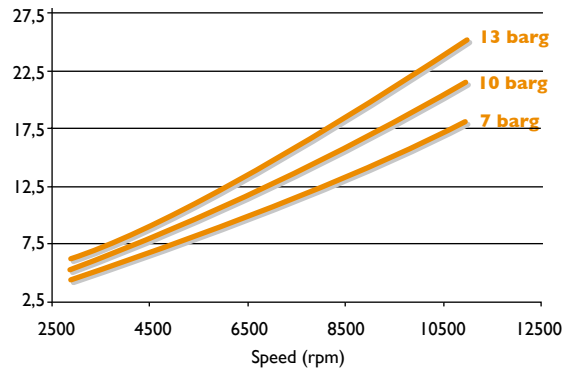


Data Tables

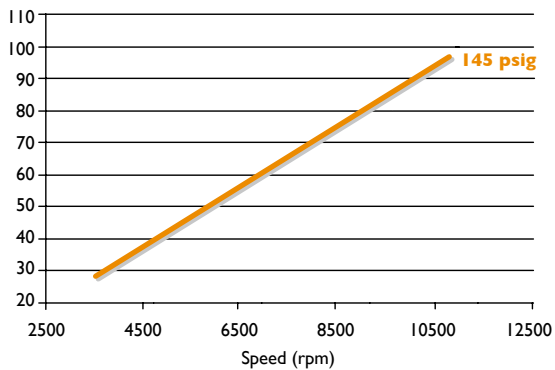
Air Capacity (mc/min)



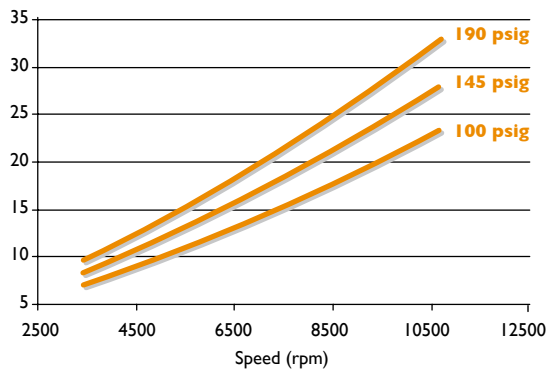
Power (kW)



Air Capacity (cfm)



Power (HP)



Drive: Male
 Lobe combination: 5/6
 Male rotor size: 74 mm

Female rotor size: 61,6 mm
 L/D: 1,65

Working pressure: min 3 barg/40 psig - max 15 barg/220 psig
 Weight: 20 kg - 44 lbs